

CEF50

Time-delay static relays



The CEF50 is an electronic time-delay relay available in different variants:

- CEF50 : for order emission
- CEF50MU : for order suppression
- CEF50MU2 : with a command source independent of the auxiliary source
- CEF50P : with a pulse contact usable as an impulse extender

For F 10 or F 20 sockets, it allows the replacement of CEF4 and CEF5 relays.

Functional characteristics

3 timing ranges allowing adjustments from 12 ms to 42 h:

Range	Multiplication factor	Rating 0.12 s (12 ms to 25.6 s)	Rating 20 s (2 s to 85 mn)	Rating 10 mn (1 mn to 42 h)
1	1	0.012 to 0.12 s	2 to 20 s	1 to 10 mn
2	4	0.04 to 0.4 s	8 to 80 s	4 to 40 mn
3	32	0.32 to 3.2 s	64 to 640 s	32 to 320 mn
4	256	2.56 to 25.6 s	512 to 5,120 s	256 to 2,560 mn

Adaptability and robustness

The CEF50 relays offer the following advantages:

- precision and reliability,
- visualisation of relay states through front-facing LED,
- compact size,
- immunity to HF disturbances,
- effective insulation between the supply circuit, contacts and earth.

OUR TRADEMARKS



CHARACTERISTICS

- Choice of supply voltages (for other ratings, please consult us)

Direct current (-20% to +10%)	24 V	48 V	110 V	125 V
Alternating current 50 or 60 Hz (-15% to +10%)	58 V	100 V	127 V	220 V

- Nominal consumption

	De-energised	During time-delay	End of time+delay
Diagram 0044	0 VA	0.35 V	2.6 VA
Diagram 2222	0 VA	1.5 VA	2.6 VA

- Breaking capacity

DC Resistive circuit			DC L/R circuit = 40 ms			AC Cos φ = 0.4		
24 V	125 V	220 V	24 V	125 V	220 V	24 V	127 V	220 V
4 A	0.5 A	0.2 A	10 A	0.3 A	0.1 A	4 A	4 A	4 A

Response time	Pull-in		Drop-off	
	Make n.c. contact	Break n.c. contact	Break n.c. contact	Make n.c. contact
Instantaneous contacts	20 ms	10 ms	10 ms	20 ms
Delay contacts			10 ms	20 ms
Recovery time	30 ms			

- Indication accuracy (graduated point): ± 5%, conventional error: ± 2% (from 100 ms).
- Continuous burden: 5 A.
- Operating temperature: -5°C to +40°C.
- Dimensions without socket: 45 x 45 x 125 mm. Weight: 250 g

DIAGRAMS (schematic: front view - de-energised position)

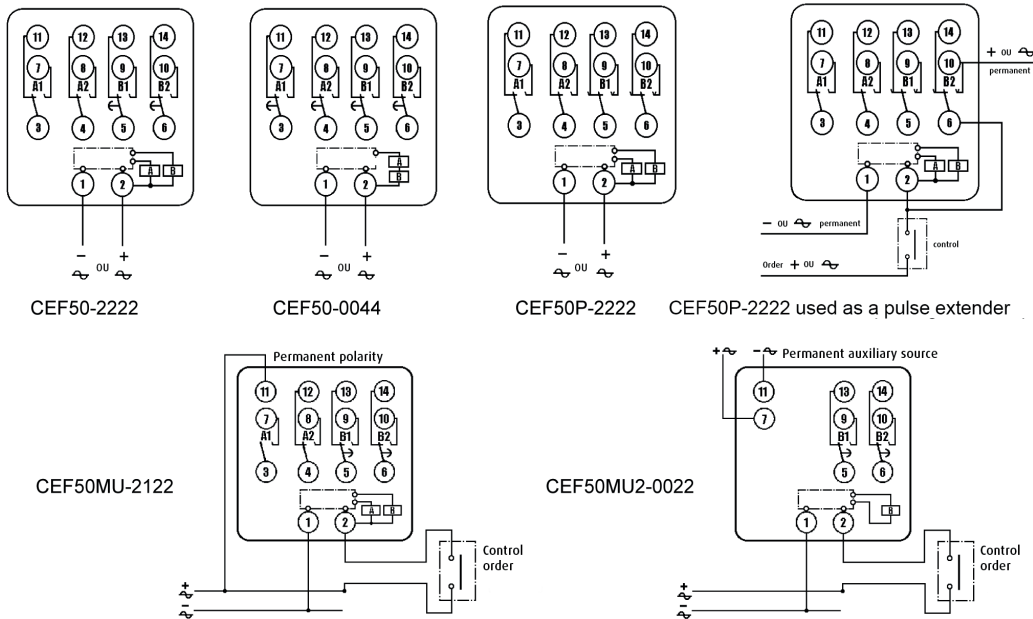


Diagram coding	
1st digit	Number of instantaneous closing contacts
2nd digit	Number of instantaneous opening contacts
3rd digit	Number of delayed closing contacts
4th digit	Number of delayed opening contacts

	0022	0044	2122	2222
CEF50		X		X
CEF50MU			X	
CEF50MU2	X			
CEF50P		X		X

